

# Worksheet 11

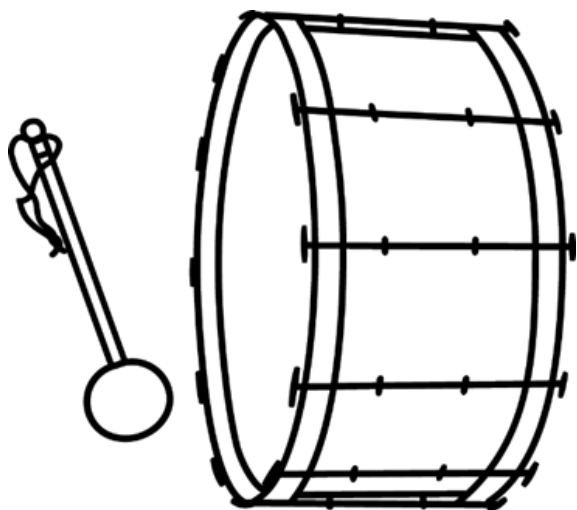
## Let's focus on:

**Instrument:** Percussion

**Musician:** Nicole

**Movement:** The Bogatyr Gates

**Musical Concept:** Timbre



**Timbre:** colour or quality of the sound played by the musician

## Artwork

**Project for the city gates in Kyiv**, main facade by Viktor Hartmann

**The Great Gate of Kyiv (2022)** by Gerda Hofman (Nanaimo, BC); acrylic on canvas

## Observations & Comprehension

1. What are your favourite sounds the drum can make and why?
2. A percussion instrument is one that is struck or plucked. There are many members in the percussion family: timpani, xylophone, cymbals, triangle, snare drum, bass drum, tambourine, maracas, gongs, chimes, celesta, and piano. What have you used that is a percussion instrument?
3. Label the parts of the drum. Decorate your drum. (See illustration on next page.)

## Pictures at an Exhibition | The Bogatyr Gates

This movement was inspired by Viktor's design for the city gates in Kyiv, Ukraine. The gates were designed in an ancient Russian style with a cupola shaped like a Slavonic helmet. *Bogatyr*s are heroes that appear in Russian folklore. This movement repeats themes presented in the Baba-Yaga and Gnomus movements.



## Try it!

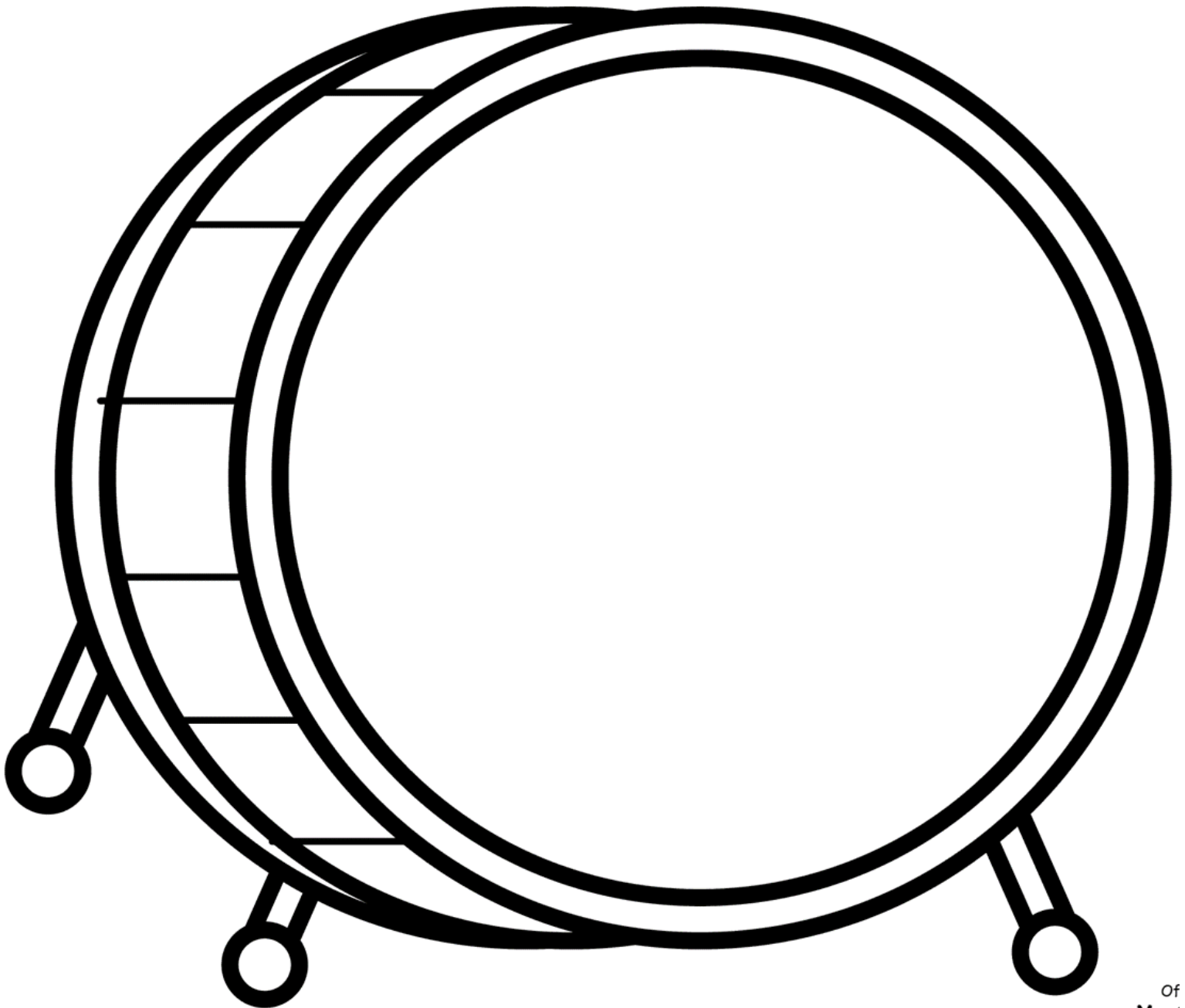
## Body Drum

**Supplies Required:** none

How many different sounds can you make using your body, but not your voice?

E.g. snapping fingers, tapping taut cheeks, clapping feet together, hitting the inside of your legs together, shattering teeth.

Label the parts of the drum. Decorate your drum.



Of  
Vani